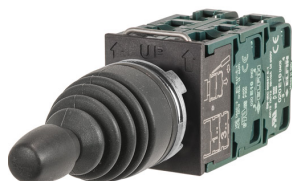


## Scheda Dati

020MT4TL40AR

Ohjaussauva, 4-asentoinen, 4 Väliaikaista Linjassa, 4 N.O., H 55



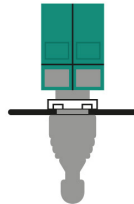
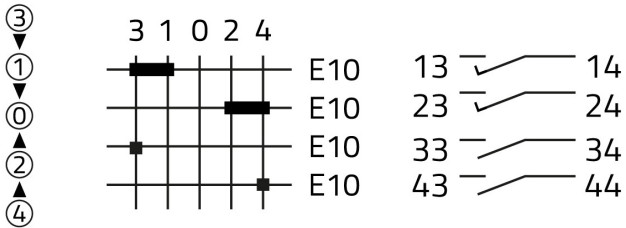
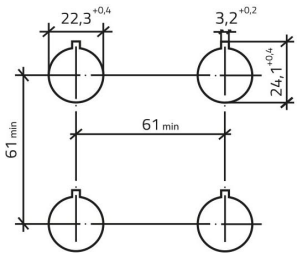
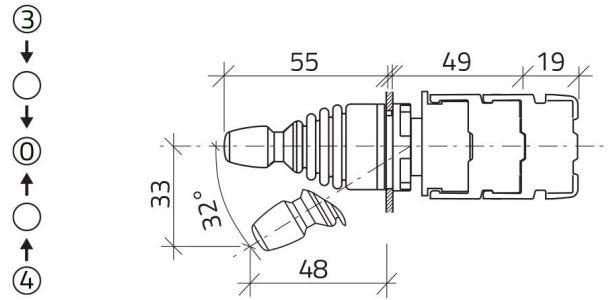
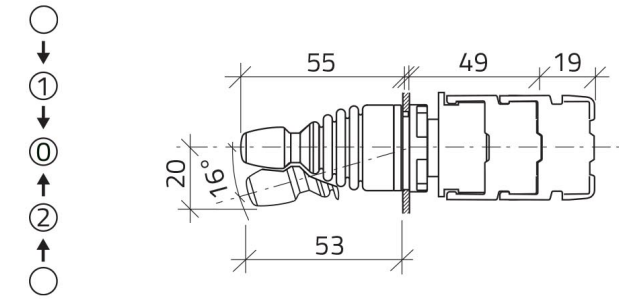
## Caratteristiche

<b>Range</b>	Ohjaussauvat Ø 22
<b>Componente</b>	Erikisohjaussauvat, 4-asentoinen h 55 mm
<b>Code</b>	020MT4TL40AR
<b>Kuvaus</b>	Ohjaussauva, 4-asentoinen, 4 Väliaikaista Linjassa, 4 N.O., H 55
<b>Väriä</b>	Grigio RAL7016
<b>Peso</b>	92,0
<b>Tariffa doganale</b>	85365080
<b>GT</b>	8052878004798

## Dati tecnici

<b>Approvals</b>	CE, UL, CSA
<b>Compliance with standards</b>	IEC-EN60947-1, IEC-EN60947-5-1, UL508, CSA C22-2
<b>Compliance with standards</b>	UNI CEI EN 45545-2, CEI EN 61373
<b>Operating temperatures</b>	-40° ÷ +70°C
<b>Protection degree</b>	IP66 - IP69 (IEC-EN60529)
<b>Protection against impact</b>	IK03 (IEC-EN62262)
<b>Mechanical durability</b>	1.000.000 Operations
<b>Shock resistance</b>	30g duration=18ms (EN-IEC 60068-2-27)
<b>Shock resistance</b>	50g duration=11ms (EN-IEC 60068-2-27)
<b>Vibration resistance</b>	5g f= 2...500Hz (EN-IEC 60068-2-6)
<b>Material</b>	PA Polyamide
<b>Cap or bellow material</b>	Silicon rubber
<b>Locking ring material</b>	Zamak zinc alloy
<b>Fixing diameter</b>	22.5mm - Thickness 1÷6mm
<b>Tightening torque</b>	2 ÷ 3Nm (17.7 ÷ 26.6 Lb-in)
<b>Contact block</b>	Included
<b>Contact blocks characteristics</b>	See items 020GE20-020E10-020E01
<b>Warranty period</b>	18 months

# Disegni tecnici



020G  
020E10  
020E10  
020E10  
020E10