

Scheda Dati

020MT4TL40AR

Manipulateur, 4 positions, 4 Rappel à zéro en ligne, H 55



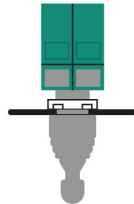
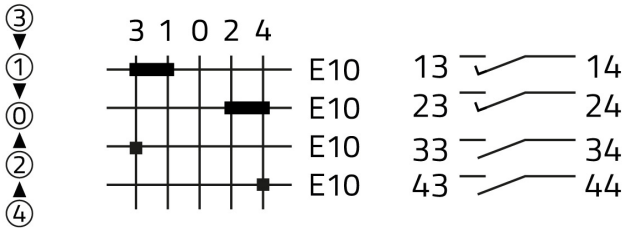
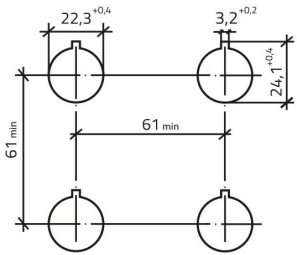
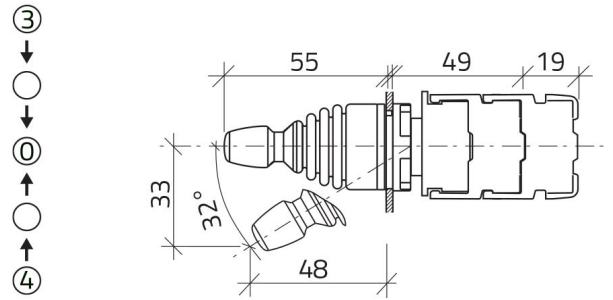
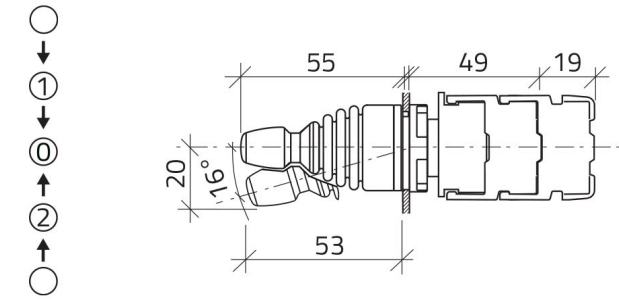
Caratteristiche

| | |
|-------------------------------------|---|
| Portée | Manipulateurs Ø 22 |
| Componente | spéciaux à 4 positions H 55 mm |
| Code | 020MT4TL40AR |
| Désignation des marchandises | Manipulateur, 4 positions, 4 Rappel à zéro en ligne, H 55 |
| Couleur | Grigio RAL7016 |
| Peso | 92,0 |
| Tariffa doganale | 85365080 |
| GTIN | 8052878004798 |

Dati tecnici

| | |
|---------------------------------------|--|
| Approvals | CE, UL, CSA |
| Compliance with standards | IEC-EN60947-1, IEC-EN60947-5-1, UL508, CSA C22-2 |
| Compliance with standards | UNI CEI EN 45545-2, CEI EN 61373 |
| Operating temperatures | -40° ÷ +70°C |
| Protection degree | IP66 - IP69 (IEC-EN60529) |
| Protection against impact | IK03 (IEC-EN62262) |
| Mechanical durability | 1.000.000 Operations |
| Shock resistance | 30g duration=18ms (EN-IEC 60068-2-27) |
| Shock resistance | 50g duration=11ms (EN-IEC 60068-2-27) |
| Vibration resistance | 5g f= 2...500Hz (EN-IEC 60068-2-6) |
| Material | PA Polyamide |
| Cap or bellow material | Silicon rubber |
| Locking ring material | Zamak zinc alloy |
| Fixing diameter | 22.5mm - Thickness 1÷6mm |
| Tightening torque | 2 ÷ 3Nm (17.7 ÷ 26.6 Lb-in) |
| Contact block | Included |
| Contact blocks characteristics | See items 020GE20-020E10-020E01 |
| Warranty period | 18 months |

Disegni tecnici



020G
020E10
020E10
020E10
020E10