

Scheda Dati

020MT4TL40AR

Manipolatore, 4 posizioni, 4 Temporanee in Linea, 4 N.O., H 55



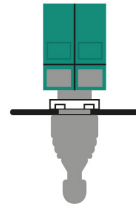
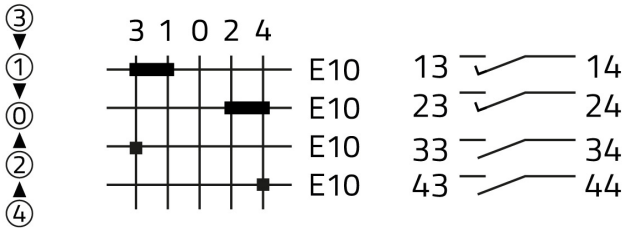
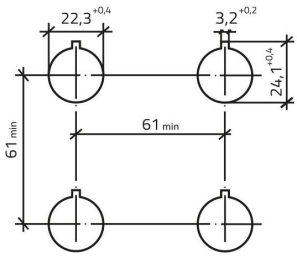
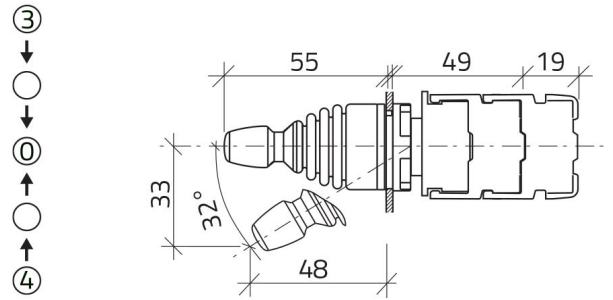
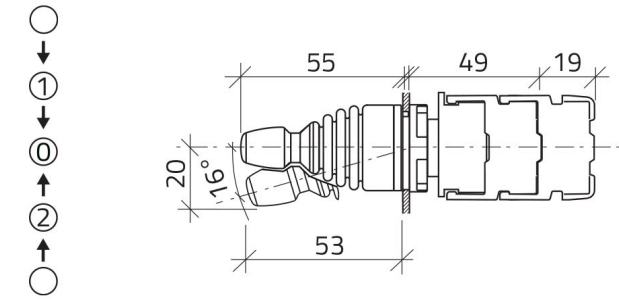
Caratteristiche

Gamma	Manipolatori Ø 22
Componente	4 posizioni speciali H 55 mm
Codice	020MT4TL40AR
Descrizione	Manipolatore, 4 posizioni, 4 Temporanee in Linea, 4 N.O.,
Colore	Grigio RAL7016
Peso	92,0
Tariffa doganale	85365080
GTIN	8052878004798

Dati tecnici

Approvals	CE, UL, CSA
Compliance with standards	IEC-EN60947-1, IEC-EN60947-5-1, UL508, CSA C22-2
Compliance with standards	UNI CEI EN 45545-2, CEI EN 61373
Operating temperatures	-40° ÷ +70°C
Protection degree	IP66 - IP69 (IEC-EN60529)
Protection against impact	IK03 (IEC-EN62262)
Mechanical durability	1.000.000 Operations
Shock resistance	30g duration=18ms (EN-IEC 60068-2-27)
Shock resistance	50g duration=11ms (EN-IEC 60068-2-27)
Vibration resistance	5g f= 2...500Hz (EN-IEC 60068-2-6)
Material	PA Polyamide
Cap or bellow material	Silicon rubber
Locking ring material	Zamak zinc alloy
Fixing diameter	22.5mm - Thickness 1÷6mm
Tightening torque	2 ÷ 3Nm (17.7 ÷ 26.6 Lb-in)
Contact block	Included
Contact blocks characteristics	See items 020GE20-020E10-020E01
Warranty period	18 months

Disegni tecnici



020G
020E10
020E10
020E10
020E10