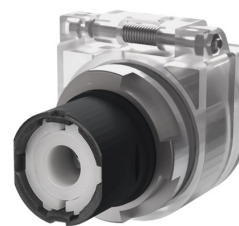


Datasheet

020SMBNDP

Knob selector switch, white, 2-position, Cam B, spring return from RH, w. clear sealable protective cover



Features

Range	Non-illuminated knob selector switches Ø 22
components	2-position, sealable protection
Code	020SMBNDP
Description	Knob selector switch, white, 2-position, Cam B, spring return from RH, w. clear sealable protective cover
Colour	Bianco
Weight - gr	0.0
Customs Tariff	85365080
GTIN	8052878078669

Datasheet

Approvals	CE
Compliance with standards	IEC-EN60947-1, IEC-EN60947-5-1, UL508, CSA C22-2
Compliance with standards	UNI CEI EN 45545-2, CEI EN 61373
Operating temperatures	-40° ÷ +70°C
Environmental operating values	+25°C-97%RH / +45°C-93%RH (IEC-EN60068-2-30)
Protection degree	IP66 - IP69 (IEC-EN60529)
Protection against impact	IK03 (IEC-EN62262)
Mechanical durability	1.000.000 Operations
Shock resistance	30g duration=18ms (EN-IEC 60068-2-27)
Shock resistance	50g duration=11ms (EN-IEC 60068-2-27)
Vibration resistance	5g f= 2...500Hz (EN-IEC 60068-2-6)
Contact blocks configuration	Max no. 8 blocks (4+4)
Material	PA Polyamide
Locking ring material	Zamak zinc alloy
Fixing diameter	22.5mm - Thickness 1÷6mm
Tightening torque	2 ÷ 3Nm (17.7 ÷ 26.6 Lb-in)
Protection against electric shock	Class II (IEC-EN61140)
Sealable guard type	Spring-loaded closure
Sealable guard material	PC Polycarbonate

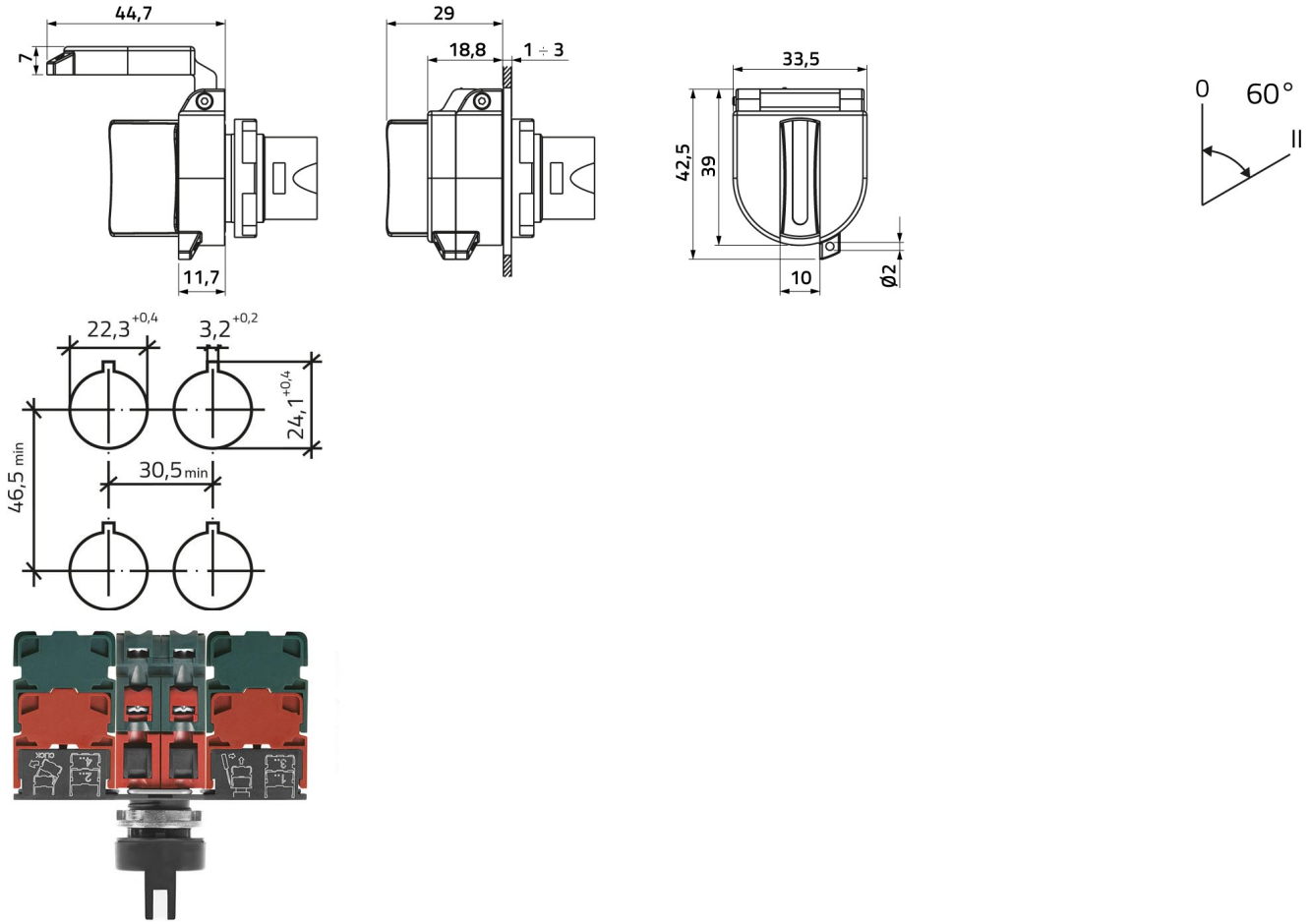
Sealable guard material - metal components

Stainless steel AISI 304

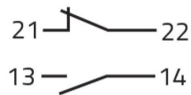
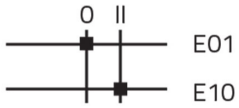
Warranty period

18 months

Technical drawings



CAM B



020E01
020E10
020G