

## Scheda Dati

020SMTLOBL

Valoväätökytkin, sininen, 3-asentoinen, Cam O



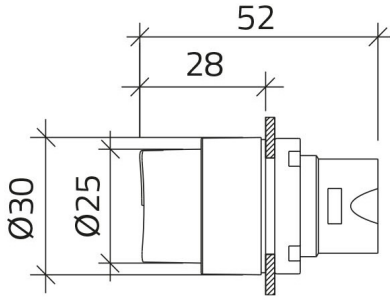
## Caratteristiche

Range	Valaistut valitsimet Ø 22
Componente	3-asentoinen väätökytkin
Code	020SMTLOBL
Kuvaus	Valoväätökytkin, sininen, 3-asentoinen, Cam O
Väriä	Blu
Peso	27,0
Tariffa doganale	85365080
GT	8052878066550

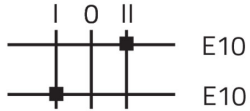
## Dati tecnici

Approvals	CE
Compliance with standards	IEC-EN60947-1, IEC-EN60947-5-1, UL508, CSA C22-2
Compliance with standards	UNI CEI EN 45545-2
Operating temperatures	-40° ÷ +70°C
Environmental operating values	+25°C-97%RH / +45°C-93%RH (IEC-EN60068-2-30)
Protection degree	IP65 (IEC-EN60529)
Protection against impact	IK03 (IEC-EN62262)
Mechanical durability	1.000.000 Operations
Shock resistance	30g duration=18ms (EN-IEC 60068-2-27)
Vibration resistance	5g f= 2...500Hz (EN-IEC 60068-2-6)
Contact blocks configuration	Max no. 2 blocks (1+1)
Housing material	PA Polyamide
Knob or lever material	PC Polycarbonate
Locking ring material	Zamak zinc alloy
Fixing diameter	22.5mm - Thickness 1÷6mm
Tightening torque	2 ÷ 3Nm (17.7 ÷ 26.6 Lb-in)
Illuminated selector switch (all versions)	It is mandatory to use LED bulbs type 010BA9SLxxx
Protection against electric shock	Class II (IEC-EN61140)
Warranty period	18 months

## Disegni tecnici

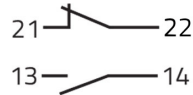


### CAM 0



020E10  
020E10  
020G

### CAM 0



020E01  
020E10  
020G

