

Fiche technique

020STAMENWD

Bouton tournant à manette, noir, 3 positions, Cam E, rappel à ressort de droite, métal



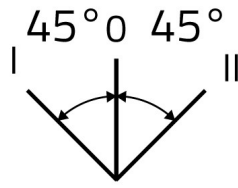
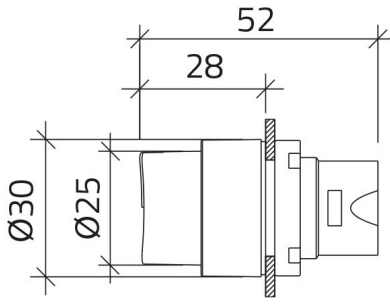
Caractéristiques

Portée	Boutons tournants à manette non-lumineux Ø 22 - coller. mét.
Composant	3 positions
Code	020STAMENWD
Désignation des marchandises	Bouton tournant à manette, noir, 3 positions, Cam E, rappel à ressort de droite, métal
Couleur	Nero
Poids	38,0
Tarif douanier	85365080
GTIN	8052878023669

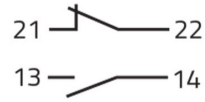
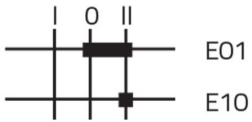
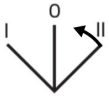
Données techniques

Approvals	CE
Compliance with standards	IEC-EN60947-1, IEC-EN60947-5-1, UL508, CSA C22-2
Compliance with standards	UNI CEI EN 45545-2
Operating temperatures	-25° ÷ +65°C
Environmental operating values	+25°C-97%RH / +45°C-93%RH (IEC-EN60068-2-30)
Protection degree	IP65 (IEC-EN60529)
Protection against impact	IK03 (IEC-EN62262)
Mechanical durability	1.000.000 Operations
Shock resistance	30g duration=18ms (EN-IEC 60068-2-27)
Shock resistance	50g duration=11ms (EN-IEC 60068-2-27)
Vibration resistance	5g f= 2...500Hz (EN-IEC 60068-2-6)
Contact blocks configuration	Max no. 4 blocks (2+2)
Knob or lever material	PC Polycarbonate
External bezel material	Chromed zinc alloy
Locking ring material	Zamak zinc alloy
Fixing diameter	22.5mm - Thickness 1÷6mm
Tightening torque	2 ÷ 3Nm (17.7 ÷ 26.6 Lb-in)
Protection against electric shock	Class II (IEC-EN61140)
Warranty period	18 months

Dessins techniques



CAM E



O20E01
O20E10
O20G

