

Scheda Dati

020STAMQNW

Seletor com manípulo, preto, 4 posições, Cam Q, metal



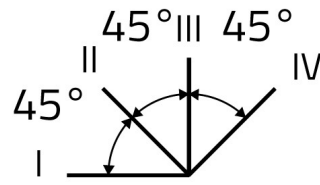
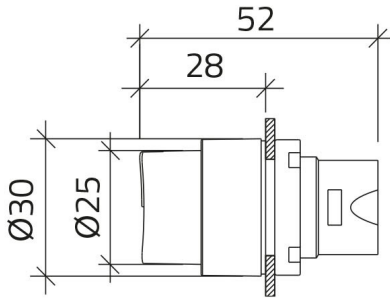
Caratteristiche

| | |
|-------------------------|---|
| Gama | Seletores não luminosos Ø 22 - aro em metal |
| Componente | Seletores com manípulo de 4 posições |
| Código | 020STAMQNW |
| Descrição | Seletor com manípulo, preto, 4 posições, Cam Q, metal |
| Cor | Nero |
| Peso | 38,0 |
| Tariffa doganale | 85365080 |
| GTIN | 8052878025564 |

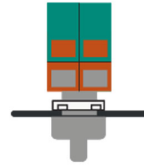
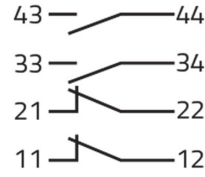
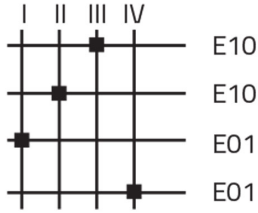
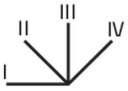
Dati tecnici

| | |
|--|--|
| Approvals | CE |
| Compliance with standards | IEC-EN60947-1, IEC-EN60947-5-1, UL508, CSA C22-2 |
| Compliance with standards | UNI CEI EN 45545-2 |
| Operating temperatures | -25° ÷ +65°C |
| Environmental operating values | +25°C-97%RH / +45°C-93%RH (IEC-EN60068-2-30) |
| Protection degree | IP65 (IEC-EN60529) |
| Protection against impact | IK03 (IEC-EN62262) |
| Mechanical durability | 1.000.000 Operations |
| Shock resistance | 30g duration=18ms (EN-IEC 60068-2-27) |
| Shock resistance | 50g duration=11ms (EN-IEC 60068-2-27) |
| Vibration resistance | 5g f= 2...500Hz (EN-IEC 60068-2-6) |
| Contact blocks configuration | Max no. 4 blocks (2+2) |
| Knob or lever material | PC Polycarbonate |
| External bezel material | Chromed zinc alloy |
| Locking ring material | Zamak zinc alloy |
| Fixing diameter | 22.5mm - Thickness 1÷6mm |
| Tightening torque | 2 ÷ 3Nm (17.7 ÷ 26.6 Lb-in) |
| Protection against electric shock | Class II (IEC-EN61140) |
| Warranty period | 18 months |

Disegni tecnici



CAM Q



020E10
020E10
020E01
020E01
020G

