

Hoja de datos

020STAMTGWC

Selector de mando, amarillo, 3 posiciones, Cam T, muelle con retorno al centro, metal



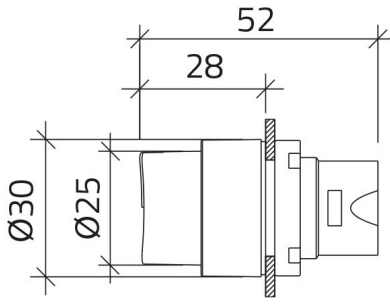
Características

Rango	Selectores no luminosos Ø 22 - abrazadera de metal
Componente	Selector de mando con 3 posiciones
Código	020STAMTGWC
Descripción	Selector de mando, amarillo, 3 posiciones, Cam T, muelle con retorno al centro, metal
Color	Giallo
Peso	38,0
Arancel aduanero	85365080
GTIN	8052878025847

Datos técnicos

Approvals	CE
Compliance with standards	IEC-EN60947-1, IEC-EN60947-5-1, UL508, CSA C22-2
Compliance with standards	UNI CEI EN 45545-2
Operating temperatures	-25° ÷ +65°C
Environmental operating values	+25°C-97%RH / +45°C-93%RH (IEC-EN60068-2-30)
Protection degree	IP65 (IEC-EN60529)
Protection against impact	IK03 (IEC-EN62262)
Mechanical durability	1.000.000 Operations
Shock resistance	30g duration=18ms (EN-IEC 60068-2-27)
Shock resistance	50g duration=11ms (EN-IEC 60068-2-27)
Vibration resistance	5g f= 2...500Hz (EN-IEC 60068-2-6)
Contact blocks configuration	Max no. 4 blocks (2+2)
Knob or lever material	PC Polycarbonate
External bezel material	Chromed zinc alloy
Locking ring material	Zamak zinc alloy
Fixing diameter	22.5mm - Thickness 1÷6mm
Tightening torque	2 ÷ 3Nm (17.7 ÷ 26.6 Lb-in)
Protection against electric shock	Class II (IEC-EN61140)
Warranty period	18 months

Dibujos técnicos

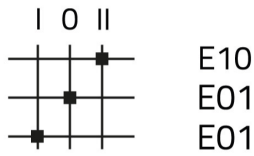
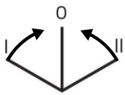


CAM T



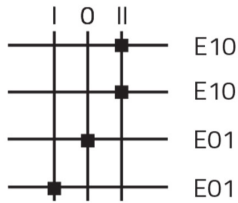
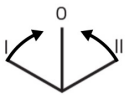
020E01
020E10
020G

CAM T



020E10
020E01
020E01
020G

CAM T



020E10
020E10
020E01
020E01
020G

