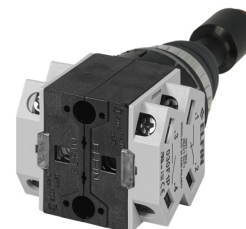


Datenblatt

030MPPNB

Steuerknüppel, 2 Positionen, 2 Permanent, mit Verschluss, 2 N.O.+2 N.C.



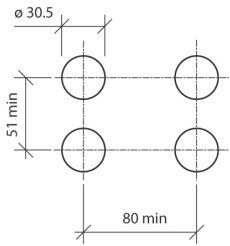
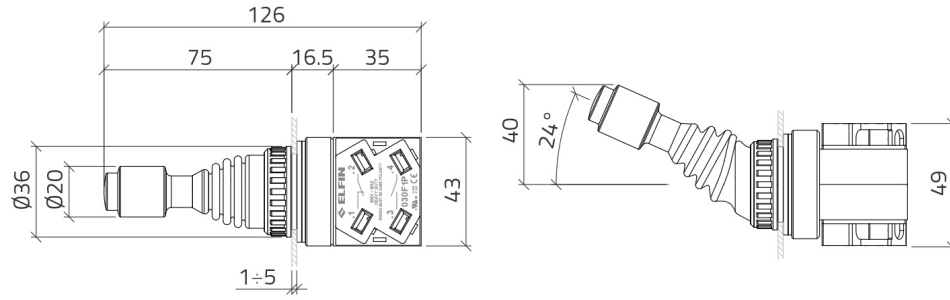
Merkmale

Baureihe	Manipulatoren Ø 30
Komponenten	Mit Sicherheitsschloss 2 Positionen
Artikel-Nr.	030MPPNB
Beschreibung	Steuerknüppel, 2 Positionen, 2 Permanent, mit Verschluss, 2 N.O.+2 N.C.
Farbe	Nero
Gewicht - gr	172,0
Zolltarifnummer	85365080
GTIN	8052878067526

Technische Daten

Approvals	CE
Compliance with standards	IEC-ENC60947-1, IEC-EN60947-5-1
Operating temperatures	-25° ÷ +65°C
Protection degree	IP65 Front panel / IP2X terminals(IEC-EN60529)
Mechanical durability	2.000.000 Operations
Cap or bellow material	Silicon rubber
Housing material	PA Polyamide
External bezel material	Chromed zinc alloy
Internal parts material	Lever, springs, bushing - stainless steel AISI 304
Actuation force	13N
Fixing diameter	30.5mm - Thickness 1÷6mm
Tightening torque	2 ÷ 3Nm (17.7 ÷ 26.6 Lb-in)
Actuation with safety interlock	Red button - lift to unlock
Protection against electric shock	Class II (IEC-EN61140)
Contact block characteristics	See technical features of 030F1 or 030FA+030FCR
Contact block	Included
Warranty period	18 months

Technische Zeichnungen



① 0 ②

