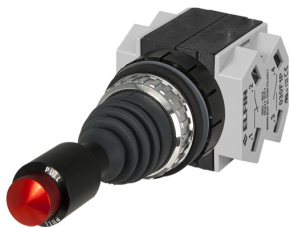


Scheda Dati

030MPPNB

Manipulateur, 2 positions, 2 Maintenues, avec verrouillage, 2 N.O. + 2 N.C.



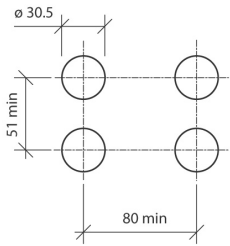
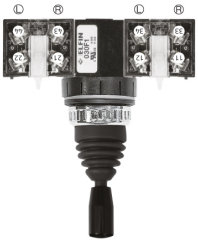
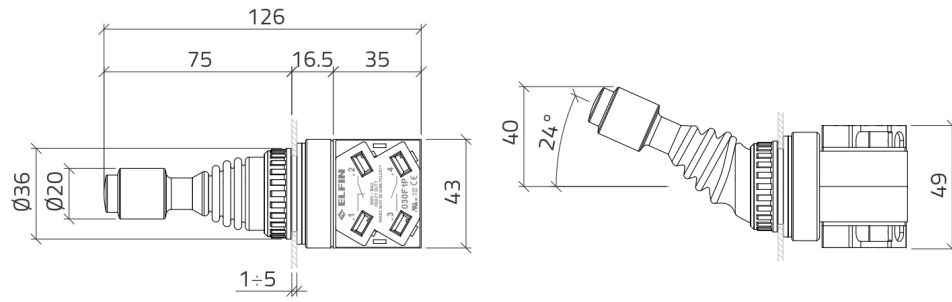
Caratteristiche

| | |
|-------------------------------------|---|
| Portée | Manipulateurs Ø 30 |
| Componente | 2 positions avec serrure de sécurité |
| Code | 030MPPNB |
| Désignation des marchandises | Manipulateur, 2 positions, 2 Maintenues, avec verrouillage, 2 N.O. + 2 N.C. |
| Couleur | Nero |
| Peso | 172,0 |
| Tariffa doganale | 85365080 |
| GTIN | 8052878067526 |

Dati tecnici

| | |
|--|--|
| Approvals | CE |
| Compliance with standards | IEC-ENC60947-1, IEC-EN60947-5-1 |
| Operating temperatures | -25° ÷ +65°C |
| Protection degree | IP65 Front panel / IP2X terminals(IEC-EN60529) |
| Mechanical durability | 2.000.000 Operations |
| Cap or bellow material | Silicon rubber |
| Housing material | PA Polyamide |
| External bezel material | Chromed zinc alloy |
| Internal parts material | Lever, springs, bushing - stainless steel AISI 304 |
| Actuation force | 13N |
| Fixing diameter | 30.5mm - Thickness 1÷6mm |
| Tightening torque | 2 ÷ 3Nm (17.7 ÷ 26.6 Lb-in) |
| Actuation with safety interlock | Red button - lift to unlock |
| Protection against electric shock | Class II (IEC-EN61140) |
| Contact block characteristics | See technical features of 030F1 or 030FA+030FCR |
| Contact block | Included |
| Warranty period | 18 months |

Disegni tecnici



① ②

