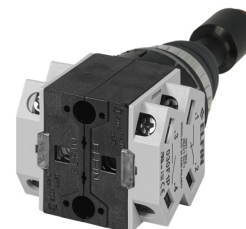
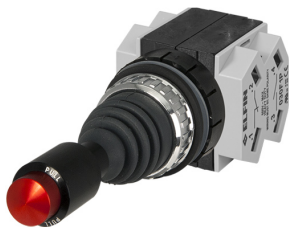


## Scheda Dati

030MPPNB

Manipolatore, 2 posizioni, 2 permanenti, con blocco, 2 N.O.+2 N.C.



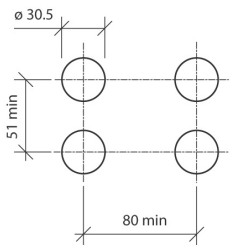
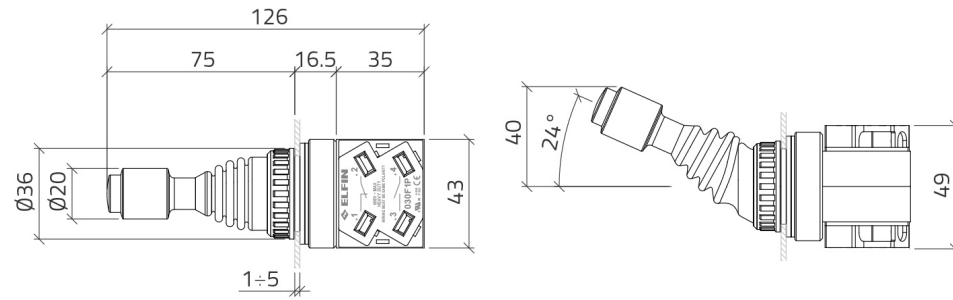
## Caratteristiche

<b>Gamma</b>	Manipolatori Ø 30
<b>Componente</b>	2 posizioni con blocco di sicurezza
<b>Codice</b>	030MPPNB
<b>Descrizione</b>	Manipolatore, 2 posizioni, 2 permanenti, con blocco,
<b>Colore</b>	Nero
<b>Peso</b>	172,0
<b>Tariffa doganale</b>	85365080
<b>GTIN</b>	8052878067526

## Dati tecnici

<b>Approvals</b>	CE
<b>Compliance with standards</b>	IEC-ENC60947-1, IEC-EN60947-5-1
<b>Operating temperatures</b>	-25° ÷ +65°C
<b>Protection degree</b>	IP65 Front panel / IP2X terminals(IEC-EN60529)
<b>Mechanical durability</b>	2.000.000 Operations
<b>Cap or bellow material</b>	Silicon rubber
<b>Housing material</b>	PA Polyamide
<b>External bezel material</b>	Chromed zinc alloy
<b>Internal parts material</b>	Lever, springs, bushing - stainless steel AISI 304
<b>Actuation force</b>	13N
<b>Fixing diameter</b>	30.5mm - Thickness 1÷6mm
<b>Tightening torque</b>	2 ÷ 3Nm (17.7 ÷ 26.6 Lb-in)
<b>Actuation with safety interlock</b>	Red button - lift to unlock
<b>Protection against electric shock</b>	Class II (IEC-EN61140)
<b>Contact block characteristics</b>	See technical features of 030F1 or 030FA+030FCR
<b>Contact block</b>	Included
<b>Warranty period</b>	18 months

## Disegni tecnici



① 0 ②

