

## Scheda Dati

030MTPN

Joystick, 2 posities, 1 Permanent, 1 Tijdelijk, 2 N.O.+2 N.C.



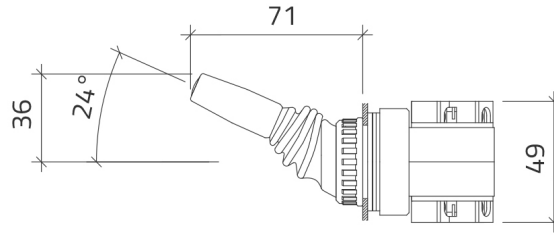
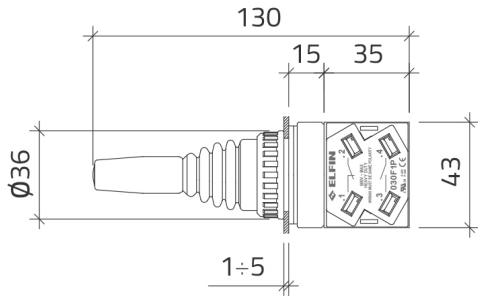
## Caratteristiche

|                         |   |
|-------------------------|---|
| <b>Bereik</b>           | Joysticks Ø 30  |
| <b>Componente</b>       | Joysticks 2 posities  |
| <b>Rubriek</b>          | 030MTPN   |
| <b>Omschrijving</b>     | Joystick, 2 posities, 1 Permanent, 1 Tijdelijk, 2 N.O.+2 N.C. |
| <b>Kleur</b>            | Nero  |
| <b>Peso</b>             | 148,0   |
| <b>Tariffa doganale</b> | 85365080  |
| <b>GTIN</b>             | 8052878029548   |

## Dati tecnici

|  |  |
|--|--|
| <b>Approvals</b>                         | CE, UL, CSA  |
| <b>Compliance with standards</b>         | IEC-EN60947-1, IEC-EN60947-5-1, UL508, CSA C22-2   |
| <b>Operating temperatures</b>            | -25° ÷ +65°C                                       |
| <b>Protection degree</b>                 | IP65 Front panel / IP2X terminals(IEC-EN60529)     |
| <b>Mechanical durability</b>             | 2.000.000 Operations                               |
| <b>Cap or bellow material</b>            | Silicon rubber                                     |
| <b>Housing material</b>                  | PA Polyamide                                       |
| <b>External bezel material</b>           | Chromed zinc alloy                                 |
| <b>Internal parts material</b>           | Lever, springs, bushing - stainless steel AISI 304 |
| <b>Actuation force</b>                   | 13N  |
| <b>Fixing diameter</b>                   | 30.5mm - Thickness 1÷6mm                           |
| <b>Tightening torque</b>                 | 2 ÷ 3Nm (17.7 ÷ 26.6 Lb-in)                        |
| <b>Protection against electric shock</b> | Class II (IEC-EN61140)                             |
| <b>Contact block characteristics</b>     | See technical features of 030F1 or 030FA+030FCR    |
| <b>Contact block</b>                     | Included   |
| <b>Warranty period</b>                   | 18 months  |

# Disegni tecnici



① ▶ ②

