

Scheda Dati

030SCBF12

Selettore a chiave, 2 posizioni, chiave K95, Cam B, estrazione chiave 0, N.O.+N.C.



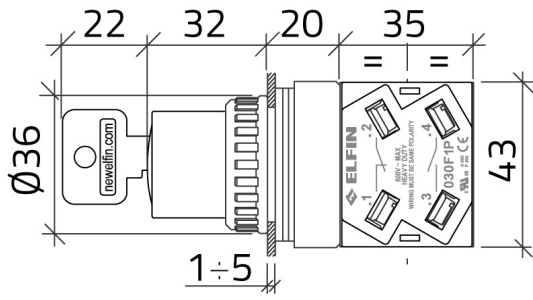
Caratteristiche

Gamma	Selettori a chiave Ø 30
Componente	2 posizioni
Codice	030SCBF12
Descrizione	Selettore a chiave, 2 posizioni, chiave K95, Cam B,
Peso	155,0
Tariffa doganale	85365080
GTIN	8052878035655

Dati tecnici

Approvals	CE, (UL-CSA 030F1-030FA-030FC-030FAA-030FCR only)
Compliance with standards	IEC-EN60947-1, IEC-EN60947-5-1, UL508, CSA C22-2
Operating temperatures	-25° ÷ +65°C
Protection degree	IP65 (IEC-EN60529)
Mechanical durability	1.000.000 Operations
Housing material	PA Polyamide
Knob or lever material	PC Polycarbonate
External bezel material	Chromed zinc alloy
Housing material	PA Polyammide + chrome
Fixing diameter	30.5mm - Thickness 1÷6mm
Tightening torque	2 ÷ 3Nm (17.7 ÷ 26.6 Lb-in)
Protection against electric shock	Class II (IEC-EN61140)
Contact block	Included
Contact block characteristics	See technical features of 030FAP - 030FCP - 030F1P
Warranty period	18 months

Disegni tecnici



CAM B

