

Datablad

030SCBF12

Sleutelschakelaar, 2 posities, sleutel K95, Cam B, sleutel extractie 0, N.O.+N.C.



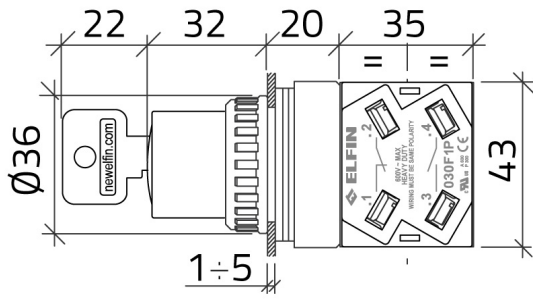
Kenmerken

| | |
|---------------------|---|
| Bereik | Sleutelschakelaars Ø 30 |
| Component | Sleutelschakelaars 2 posities |
| Rubriek | 030SCBF12 |
| Omschrijving | Sleutelschakelaar, 2 posities, sleutel K95, Cam B, sleutel extractie 0, N.O.+N.C. |
| Gewicht | 155,0 |
| Douanetarief | 85365080 |
| GTIN | 8052878035655 |

Technische gegevens

| | |
|--|--|
| Approvals | CE, (UL-CSA 030F1-030FA-030FC-030FAA-030FCR only) |
| Compliance with standards | IEC-EN60947-1, IEC-EN60947-5-1, UL508, CSA C22-2 |
| Operating temperatures | -25° ÷ +65°C |
| Protection degree | IP65 (IEC-EN60529) |
| Mechanical durability | 1.000.000 Operations |
| Housing material | PA Polyamide |
| Knob or lever material | PC Polycarbonate |
| External bezel material | Chromed zinc alloy |
| Housing material | PA Polyamide + chrome |
| Fixing diameter | 30.5mm - Thickness 1÷6mm |
| Tightening torque | 2 ÷ 3Nm (17.7 ÷ 26.6 Lb-in) |
| Protection against electric shock | Class II (IEC-EN61140) |
| Contact block | Included |
| Contact block characteristics | See technical features of 030FAP - 030FCP - 030F1P |
| Warranty period | 18 months |

Technische tekeningen



CAM B

