

Scheda Dati

030SCBF14

Selettore a chiave, 2 posizioni, chiave K95, Cam B, estrazione chiave II, N.O.+N.C.



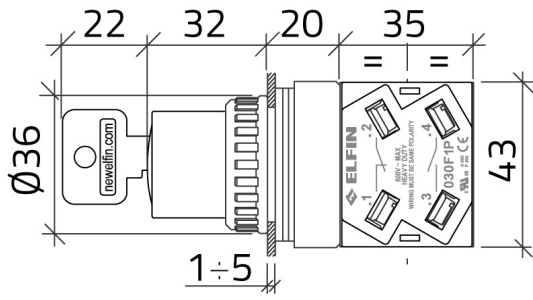
Caratteristiche

| | |
|-------------------------|---|
| Gamma | Selettori a chiave Ø 30 |
| Componente | 2 posizioni |
| Codice | 030SCBF14 |
| Descrizione | Selettore a chiave, 2 posizioni, chiave K95, Cam B, |
| Peso | 148,0 |
| Tariffa doganale | 85365080 |
| GTIN | 8052878035662 |

Dati tecnici

| | |
|--|--|
| Approvals | CE, (UL-CSA 030F1-030FA-030FC-030FAA-030FCR only) |
| Compliance with standards | IEC-EN60947-1, IEC-EN60947-5-1, UL508, CSA C22-2 |
| Operating temperatures | -25° ÷ +65°C |
| Protection degree | IP65 (IEC-EN60529) |
| Mechanical durability | 1.000.000 Operations |
| Housing material | PA Polyamide |
| Knob or lever material | PC Polycarbonate |
| External bezel material | Chromed zinc alloy |
| Housing material | PA Polyammide + chrome |
| Fixing diameter | 30.5mm - Thickness 1÷6mm |
| Tightening torque | 2 ÷ 3Nm (17.7 ÷ 26.6 Lb-in) |
| Protection against electric shock | Class II (IEC-EN61140) |
| Contact block | Included |
| Contact block characteristics | See technical features of 030FAP - 030FCP - 030F1P |
| Warranty period | 18 months |

Disegni tecnici



CAM B

