

## Scheda Dati

030SCBF1

Avainvalitsin, 2-asentoinen, avain K95, Cam B, avaimen poisto 0-II, N.O.+N.C.,



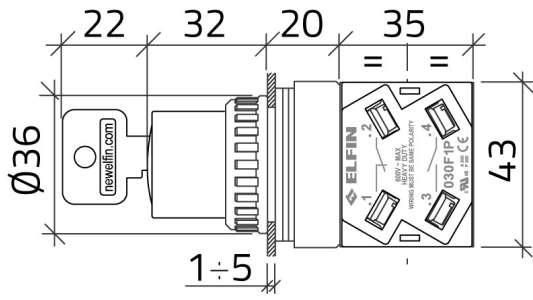
## Caratteristiche

<b>Range</b>	Avainvalitsimet Ø 30
<b>Componente</b>	2-asentoinen avainvalitsin
<b>Code</b>	030SCBF1
<b>Kuvaus</b>	Avainvalitsin, 2-asentoinen, avain K95, Cam B, avaimen poisto 0-II, N.O.+N.C.,
<b>Peso</b>	148,0
<b>Tariffa doganale</b>	85365080
<b>GT</b>	8052878035648

## Dati tecnici

<b>Approvals</b>	CE, (UL-CSA 030F1-030FA-030FC-030FAA-030FCR only)
<b>Compliance with standards</b>	IEC-EN60947-1, IEC-EN60947-5-1, UL508, CSA C22-2
<b>Operating temperatures</b>	-25° ÷ +65°C
<b>Protection degree</b>	IP65 (IEC-EN60529)
<b>Mechanical durability</b>	1.000.000 Operations
<b>Housing material</b>	PA Polyamide
<b>Knob or lever material</b>	PC Polycarbonate
<b>External bezel material</b>	Chromed zinc alloy
<b>Housing material</b>	PA Polyammide + chrome
<b>Fixing diameter</b>	30.5mm - Thickness 1÷6mm
<b>Tightening torque</b>	2 ÷ 3Nm (17.7 ÷ 26.6 Lb-in)
<b>Protection against electric shock</b>	Class II (IEC-EN61140)
<b>Contact block</b>	Included
<b>Contact block characteristics</b>	See technical features of 030FAP - 030FCP - 030F1P
<b>Warranty period</b>	18 months

# Disegni tecnici



## CAM B

