

## Datablad

030SCCF14

Sleutelschakelaar, 2 posities, sleutel K95, Cam C, sleutel extractie 0, N.O.+N.C.



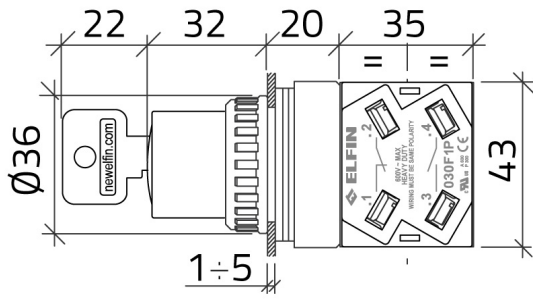
## Kenmerken

<b>Bereik</b>	Sleutelschakelaars Ø 30
<b>Component</b>	Sleutelschakelaars 2 posities
<b>Rubriek</b>	030SCCF14
<b>Omschrijving</b>	Sleutelschakelaar, 2 posities, sleutel K95, Cam C, sleutel extractie 0, N.O.+N.C.
<b>Gewicht</b>	148,0
<b>Douanetarief</b>	85365080
<b>GTIN</b>	8052878035747

## Technische gegevens

<b>Approvals</b>	CE, (UL-CSA 030F1-030FA-030FC-030FAA-030FCR only)
<b>Compliance with standards</b>	IEC-EN60947-1, IEC-EN60947-5-1, UL508, CSA C22-2
<b>Operating temperatures</b>	-25° ÷ +65°C
<b>Protection degree</b>	IP65 (IEC-EN60529)
<b>Mechanical durability</b>	1.000.000 Operations
<b>Housing material</b>	PA Polyamide
<b>Knob or lever material</b>	PC Polycarbonate
<b>External bezel material</b>	Chromed zinc alloy
<b>Housing material</b>	PA Polyamide + chrome
<b>Fixing diameter</b>	30.5mm - Thickness 1÷6mm
<b>Tightening torque</b>	2 ÷ 3Nm (17.7 ÷ 26.6 Lb-in)
<b>Protection against electric shock</b>	Class II (IEC-EN61140)
<b>Contact block</b>	Included
<b>Contact block characteristics</b>	See technical features of 030FAP - 030FCP - 030F1P
<b>Warranty period</b>	18 months

# Technische tekeningen



## CAM C

