

Datenblatt

030SCFF1

Schlüssel-Wahlschalter , 3 Positionen, K95-Schlüssel, Cam F, Schlüsselabzug I-0, N.O.+N.C.



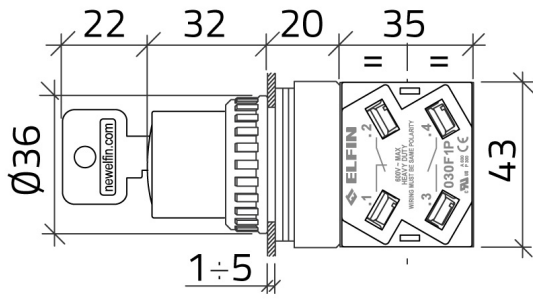
Merkmale

Baureihe	Schlüssel-Wahlschalter Ø 30
Komponenten	Schlüssel-Wahlschalter, 3 Positionen
Artikel-Nr.	030SCFF1
Beschreibung	Schlüssel-Wahlschalter , 3 Positionen, K95-Schlüssel, Cam F, Schlüsselabzug I-0, N.O.+N.C.
Gewicht - gr	148,0
Zolltarifnummer	85365080
GTIN	8052878035815

Dati tecnici

Approvals	CE, (UL-CSA 030F1-030FA-030FC-030FAA-030FCR only)
Compliance with standards	IEC-EN60947-1, IEC-EN60947-5-1, UL508, CSA C22-2
Operating temperatures	-25° ÷ +65°C
Protection degree	IP65 (IEC-EN60529)
Mechanical durability	1.000.000 Operations
Housing material	PA Polyamide
Knob or lever material	PC Polycarbonate
External bezel material	Chromed zinc alloy
Housing material	PA Polyamide + chrome
Fixing diameter	30.5mm - Thickness 1÷6mm
Tightening torque	2 ÷ 3Nm (17.7 ÷ 26.6 Lb-in)
Protection against electric shock	Class II (IEC-EN61140)
Contact block	Included
Contact block characteristics	See technical features of 030FAP - 030FCP - 030F1P
Warranty period	18 months

Disegni tecnici



CAM F

