

Scheda Dati

030SCO2F1

Selector de llave, 3 posiciones, llave K95, Cam O, extracción llave I-0-II, 2 N.O.+2 N.C.



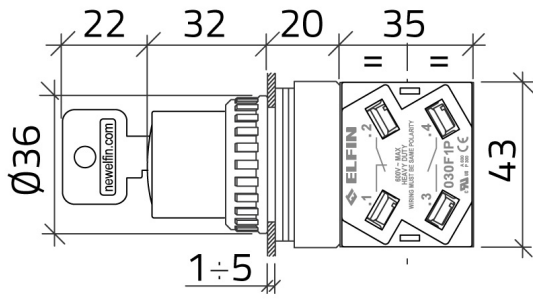
Caratteristiche

| | |
|-------------------------|---|
| Rango | Selectores de llave Ø 30 |
| Componente | Selector de llave con 3 posiciones |
| Código | 030SCO2F1 |
| Descripción | Selector de llave, 3 posiciones, llave K95, Cam O, extracción llave I-0-II, 2 N.O.+2 N.C. |
| Peso | 180,0 |
| Tariffa doganale | 85365080 |
| GTIN | 8052878035853 |

Dati tecnici

| | |
|--|--|
| Approvals | CE, (UL-CSA 030F1-030FA-030FC-030FAA-030FCR only) |
| Compliance with standards | IEC-EN60947-1, IEC-EN60947-5-1, UL508, CSA C22-2 |
| Operating temperatures | -25° ÷ +65°C |
| Protection degree | IP65 (IEC-EN60529) |
| Mechanical durability | 1.000.000 Operations |
| Housing material | PA Polyamide |
| Knob or lever material | PC Polycarbonate |
| External bezel material | Chromed zinc alloy |
| Housing material | PA Polyammide + chrome |
| Fixing diameter | 30.5mm - Thickness 1÷6mm |
| Tightening torque | 2 ÷ 3Nm (17.7 ÷ 26.6 Lb-in) |
| Protection against electric shock | Class II (IEC-EN61140) |
| Contact block | Included |
| Contact block characteristics | See technical features of 030FAP - 030FCP - 030F1P |
| Warranty period | 18 months |

Disegni tecnici



CAM 0

