

Datasheet

030SCT2F14

Key selector switch, 3-position, K95 key, Cam T, key removal II, 2 N.O.+2 N.C.



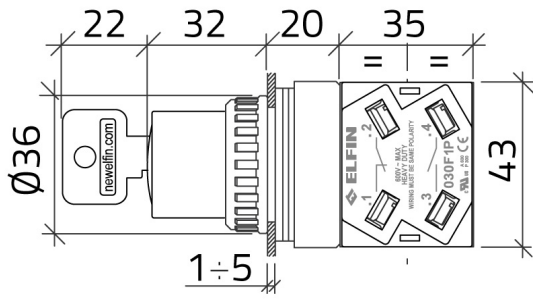
Features

Range	Key selector switches Ø 30
components	3-position
Code	030SCT2F14
Description	Key selector switch, 3-position, K95 key, Cam T, key removal II, 2 N.O.+2 N.C.
Weight - gr	180.0
Customs Tariff	85365080
GTIN	8052878036065

Datasheet

Approvals	CE, (UL-CSA 030F1-030FA-030FC-030FAA-030FCR only)
Compliance with standards	IEC-EN60947-1, IEC-EN60947-5-1, UL508, CSA C22-2
Operating temperatures	-25° ÷ +65°C
Protection degree	IP65 (IEC-EN60529)
Mechanical durability	1.000.000 Operations
Housing material	PA Polyamide
Knob or lever material	PC Polycarbonate
External bezel material	Chromed zinc alloy
Housing material	PA Polyamide + chrome
Fixing diameter	30.5mm - Thickness 1÷6mm
Tightening torque	2 ÷ 3Nm (17.7 ÷ 26.6 Lb-in)
Protection against electric shock	Class II (IEC-EN61140)
Contact block	Included
Contact block characteristics	See technical features of 030FAP - 030FCP - 030F1P
Warranty period	18 months

Technical drawings



CAM T

